

LV INTELLIGENT HOUSEHOLD

ENERGY STORAGE SYSTEM

EBrick Series

- Rack-mount design, maximum 32 units in parallel
- 10 year warranty
- Allows customization and simple installation
- Battery life of up to 8,000 cycles



The Renon EBrick Series is a household battery storage system that operates on low voltage. It is designed to store energy from various sources such as photovoltaic cells, generators, and the grid when connected to an inverter. Its rack-mounted installation allows for rapid installation in any home, while its improved surge power capacity provides backup for the entire home in a compact system.

The EBrick Series can support up to 32 systems that are connected in parallel, making it perfectly suited for different energy usage needs. The Intelligent Energy Management System (EMS) platform provides users with the ability to customise the system's behaviour and monitor its operation.

Visit us at renonpowerafrica.co.za



Scan to **Locate**



Scan to **Explore**

RENEWABLE. RELIABLE. REMARKABLE.



Battery

Battery Chemistry	Lithium Iron Phosphate
Cell Capacity (Ah)	100
Nominal Energy (kWh)	5.12
Default Voltage (V)	51.2
Voltage Range (V)	43.2~59.2
Max. Operation Current (A)	95
Primary Overcurrent Protection (A)	98@10S
Secondary Overcurrent Protection (A)	120@2S
Max. Charging Voltage (V)	58.4
Discharge Cut-off (V)	43.2
Recommended Charging Voltage (V)	56.8

General Parameters

Parallel Capacity	Maximum 32units
Dimension(W*D*H)	440*420*132mm (17.3*16.5*5.2 in)
Net Weight(Approximate)	45kg(99.2lb)

Storage Conditions -20°C to 55°C/-4 °F to 131°F
 (0°C to 35°C/32 °Fto 95°F Recommended)
 Up to 90%RH, non-condensing
 Initial SoC: 50%

Operating Temperature Discharge: -20°C to 50°C/-4°F to 122°F
 Charge: 0°C to 50°C/32°F to 122°F

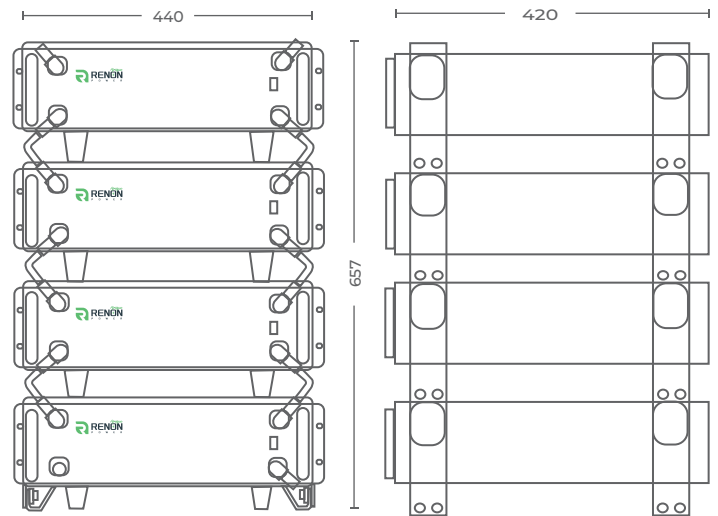
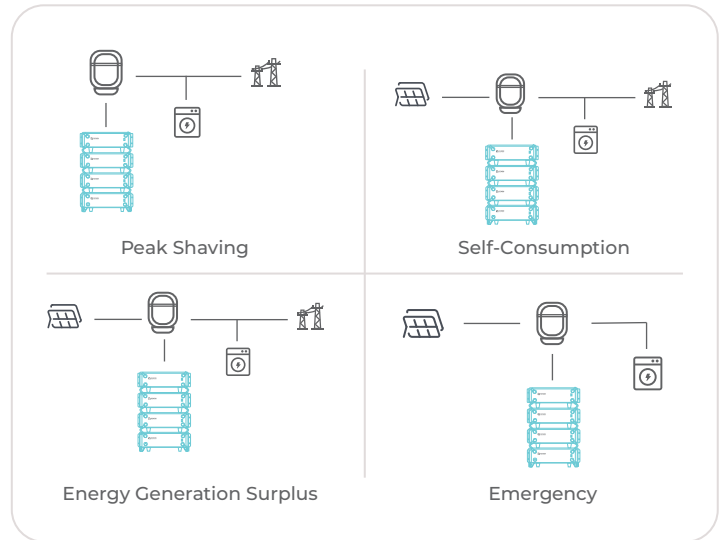
Cooling Natural Cooling

Max. Operating Altitude 3000 m(9843ft)

Service Life 8000 times

Communication RS485/CAN/WiFi

System Layout



System Characteristic

Battery Compliances	IEC 62619, UN 38.3, UL1973 [1], CE-RED
Installation Method	Rack Mounting
Installation Scene	Indoor
Enclosure	IP20
Warranty	5 Years + 5 Years ^[2]

[1] Pending Certification

[2] Please refer to the warranty manual for details